



SITESCAPES

P.O. Box 22326  
Lincoln, NE 68542

PF: 402/421-9464  
FX: 402/421-9479

WEBSITE: [www.sitescapesonline.com](http://www.sitescapesonline.com)  
E-MAIL: [info@sitescapesonline.com](mailto:info@sitescapesonline.com)

TITLE

*DRINK RAIL  
TABLE*

PRODUCT NO.

*UL6-72.0x20x42-FP-SM*

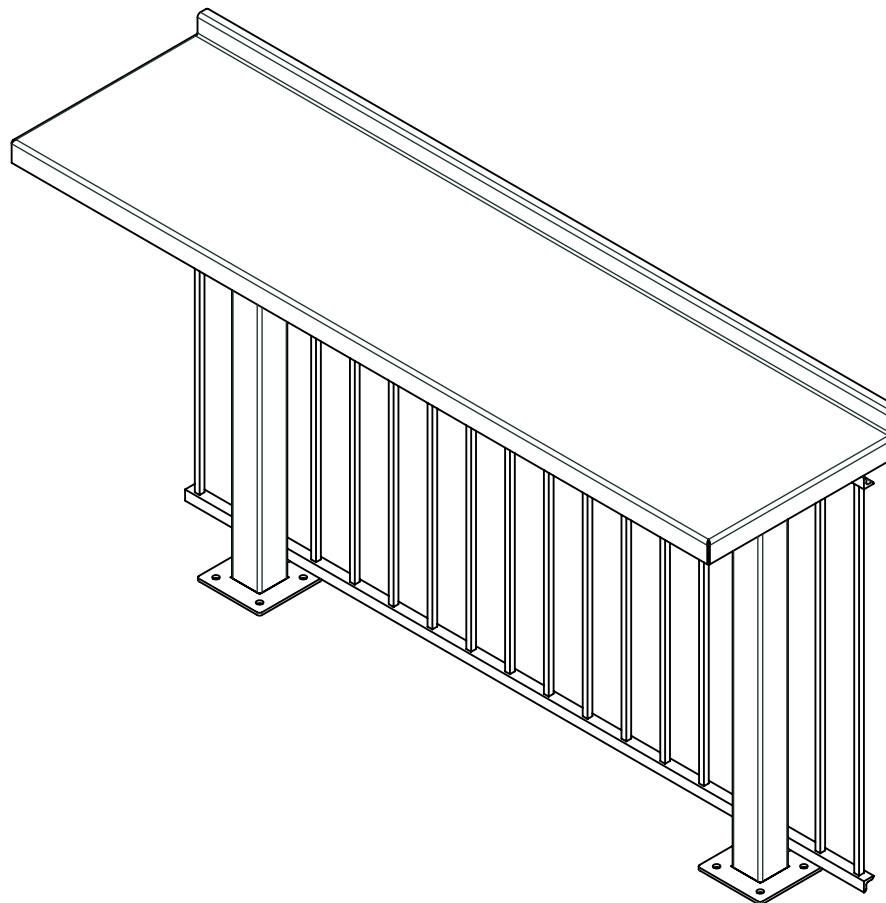
INCH TOLERANCES U.O.S.

FRACTION--  $\pm 1/16"$

ANG-----  $\pm 1^\circ$

THE INFORMATION CONTAINED IN THIS DRAWING IS THE SOLE PROPERTY OF SITESCAPES, INC. ANY REPRODUCTION IN PART OR AS A WHOLE WITHOUT THE WRITTEN PERMISSION OF SITESCAPES, INC. IS PROHIBITED.

\*Available in powder coat and DuraCoat finishes





# SITESCAPES

P.O. Box 22326  
Lincoln, NE 68542

PF: 402/421-9464  
FX: 402/421-9479

WEBSITE: [www.sitescapesonline.com](http://www.sitescapesonline.com)  
E-MAIL: [info@sitescapesonline.com](mailto:info@sitescapesonline.com)

TITLE *DRINK RAIL  
TABLE*

PRODUCT NO.  
*UL6-72.0x20x42-FP-SM*

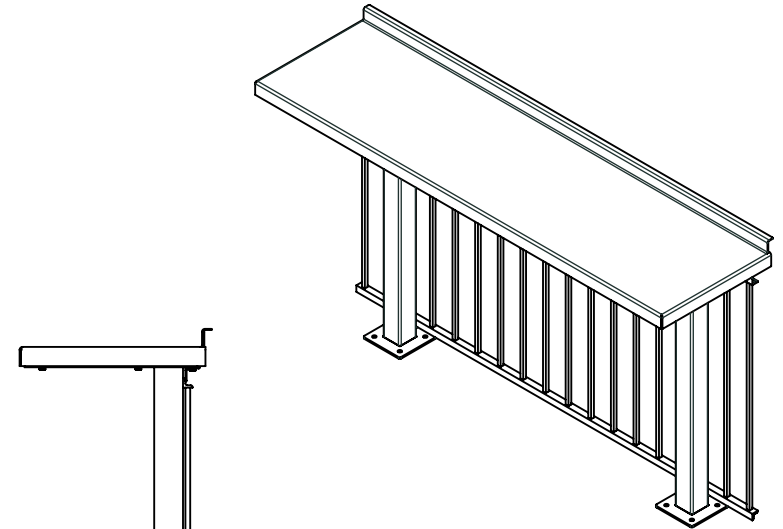
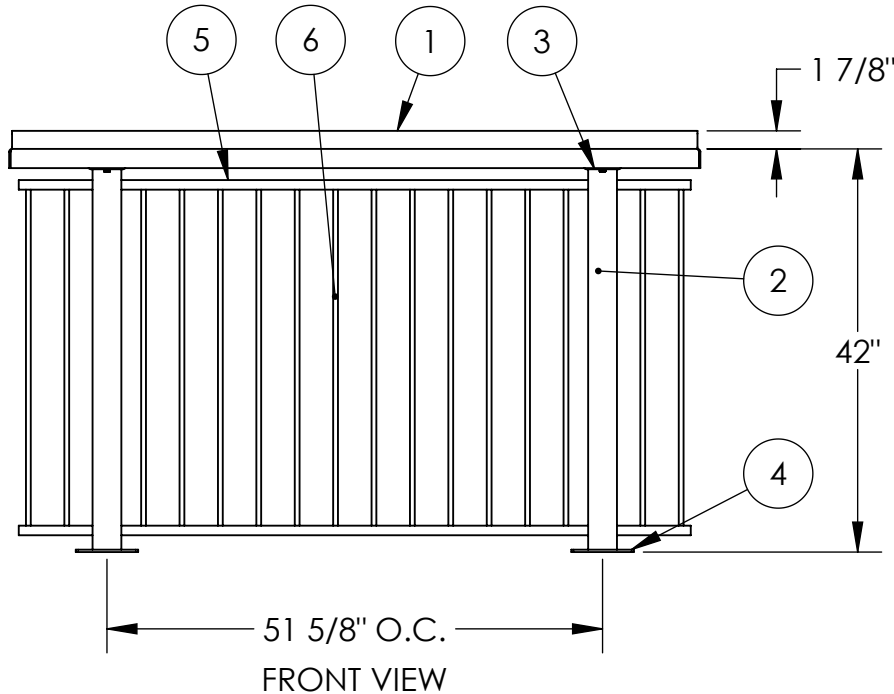
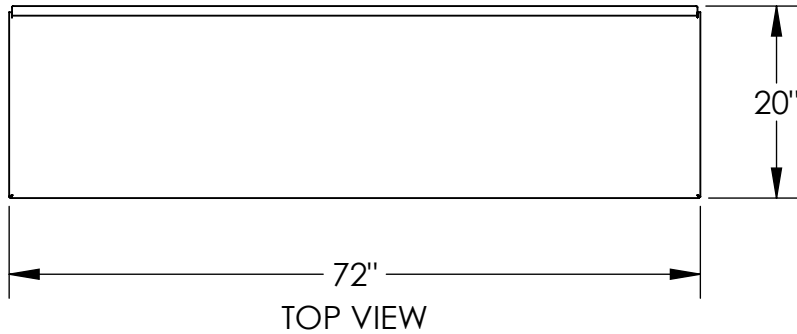
FRACTION--  $\pm 1/16"$   
ANG-----  $\pm 1^\circ$

THE INFORMATION CONTAINED IN THIS DRAWING IS THE SOLE PROPERTY OF SITESCAPES, INC. ANY REPRODUCTION IN PART OR AS A WHOLE WITHOUT THE WRITTEN PERMISSION OF SITESCAPES, INC. IS PROHIBITED.

\*Available in powder coat and DuraCoat finishes

### MATERIALS LIST:

- (1) Table Top - 11 Gauge Stainless Steel
- (2) Upright Tubes - 3" x 1/8" Wall Steel Tubing
- (3) Table Top Supports - 7 Gauge Steel Plate
- (4) Base Plate - 1/4" Stainless Steel Plate with 9/16" Mounting Holes
- (5) Fall Protection Rail - 1" x 1" x 1/4" Steel Angle
- (6) Fall Protection Picket - 1/2" Sq. Steel Bar
- (7) Mounted with Eight  $\phi 1/2" \times 4-5"$  Stainless Steel Anchor Bolts (Customer Supplied)



RIGHT SIDE VIEW